

CHARACTERISTICS

- **NICKEL-PLATED STEEL**
- **LUBRICANTS:** OIL/
GREASE
- **MARKING**
- **ATEX CE Ex II 2 GD**
- **BSP AND NPT**
VERSION
- **2 VERSIONS:**
- **NORMAL** WITH FLOW
RATE ADJUSTMENT USING
THE TURRET
- **FIXED "F"** WITHOUT A
FLOW-RATE ADJUSTMENT
TURRET
- **VERSATILITY** IN THE
DESIGN OF THE SYSTEMS
- **LOCKING PLATE** TO
SET FUTURE
LUBRICATION POINTS
- **SAVES TIME:** THE
METERING VALVES CAN
BE REPLACED WITHOUT
HAVING TO PERFORM
INTERVENTIONS ON THE
ASSEMBLY OR ON THE
FITTINGS OR PIPEWORK
- **MAINTENANCE COST**
REDUCTION THE
MODULARITY OF THE
SYSTEM ALLOWS FOR
QUICK INTERVENTIONS
AT LOW COST
- **STOCK COST**
REDUCTION OF SPARE
PARTS DUE TO THE
INTERCHANGEABILITY OF
THE VALVES AND THE
CORRESPONDING BASES

MODULAR DIVIDERS WITH A CYLINDER BLOCK BASE FOR DUAL-LINE SYSTEMS

The modular dividers for the dual-line system consist of: **Cylinder block base and metering valve.**

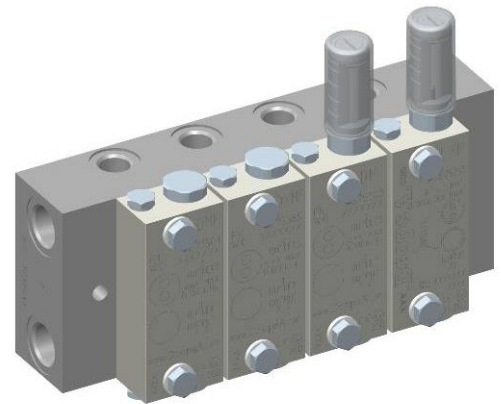
The base and the valves are available with anti-corrosion treatment, with inbound and outbound threads, BSP or NPTF.

The valves can be supplied with an adjustable or fixed flow rate; the ones with an adjustable flow rate feature adjustment turrets with a methacrylate ring cover and O-ring (standard version).

The "locking plate" must be ordered separately and it can be positioned on the base for adding additional valves.

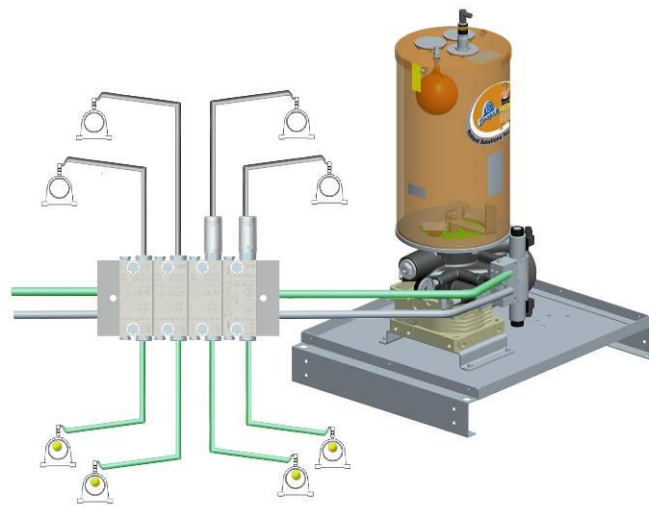
The modular dividers are marked with a laser marking system directly on the nickel-plated element and indicate the following information:

The marking, **ATEX CE Ex II 2 GD** - Configuration information for the single and double outlet and outlet measurements in cm³ and cu. inch - part number and production order identification (batch).

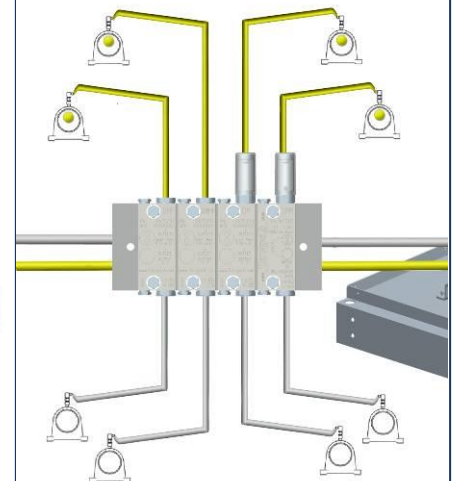


APPLICATION EXAMPLE

LINE 1 UNDER PRESSURE



LINE 2 UNDER PRESSURE



TECHNICAL INFORMATION

TECHNICAL CHARACTERISTICS

Temperature	-30°C ÷ +80°C
Frequency	100 cycles/minute.
Maximum pressure (input)	400 bar
Lubricant	Min. viscosity: 100 cSt Grease, max.: 265 ASTM (NLGI 2) - For different types of grease, contact your supplier.
Thread of the base	Input: 3/8" BSP or 3/8" NPTF. Output: 1/4" BSP or 1/4" NPTF.
Flow rate	Fixed DMMF - DMF Adjustable DMM - DM

APPLICATIONS

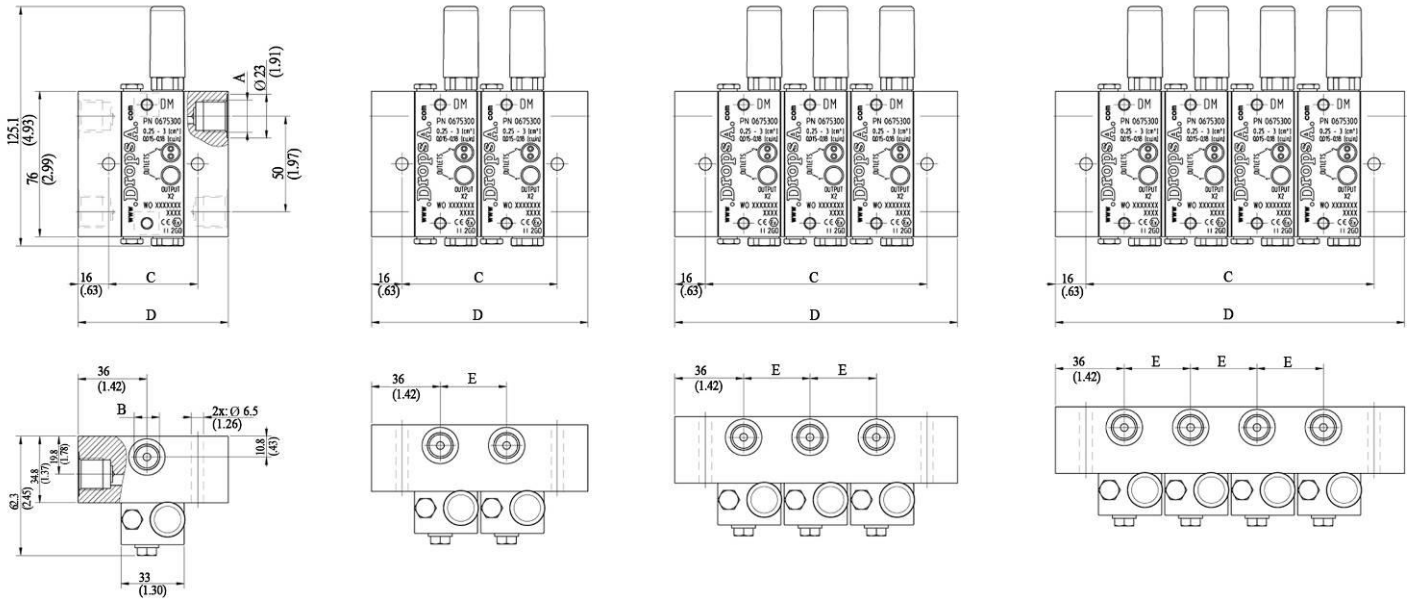
- **PAPER MILLS**
- **STEEL PLANTS**
- **CEMENT PLANTS**
- **LARGE-SCALE LOADING AND LIFTING EQUIPMENT**



DM - SOLID BASE

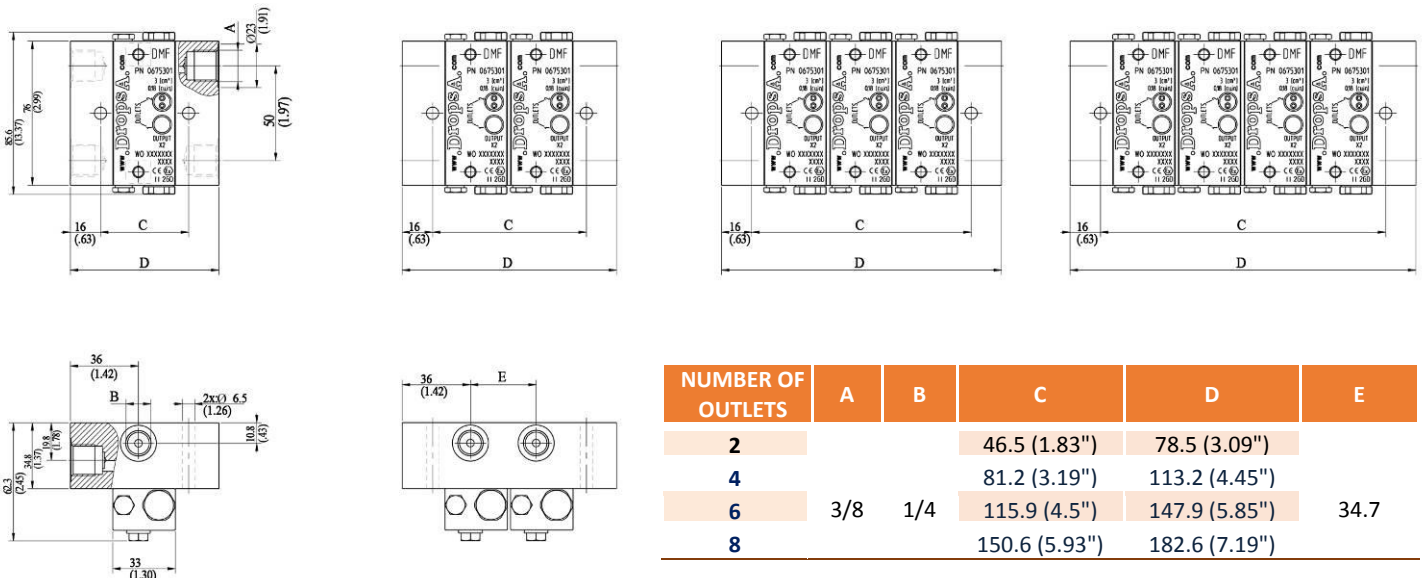
PRE-ASSEMBLED DIVIDER ORDER FORM

DIVIDER PART NUMBER WITH DM - DMM TURRET, ADJUSTABLE FLOW RATE



FLOW RATE cm ³ (cu.in)	NUMBER OF OUTLETS	DM		DMM			
		SOLID BASE		FLOW RATE cm ³ (cu.in)	NUMBER OF OUTLETS	SOLID BASE	
		BSP	NPTF			BSP	NPTF
from 0.25 to 3 (.015 - .183)	2	0675981	0675991	from 0.1 to 1 (.006-.061)	2	0675631	0675641
	4	0675982	0675992		4	0675632	0675642
	6	0675983	0675993		6	0675633	0675643
	8	0675984	0675994		8	0675634	0675644
	10	0675989	0675968				
	12	0675990	0675969				

DIVIDER PART NUMBERS WITHOUT TURRET, DMF and DMMF – FIXED FLOW RATE



NUMBER OF OUTLETS	A	B	C	D	E
2			46.5 (1.83")	78.5 (3.09")	
4			81.2 (3.19")	113.2 (4.45")	
6	3/8	1/4	115.9 (4.5")	147.9 (5.85")	34.7
8			150.6 (5.93")	182.6 (7.19")	

FLOW RATE cm ³ (cu.in)	NUMBER OF OUTLETS	DMF		DMMF			
		SOLID BASE		FLOW RATE cm ³ (cu.in)	NUMBER OF OUTLETS	SOLID BASE	
		BSP	NPTF			BSP	NPTF
3 (.183)	2	0675611	0675621	1 (.061)	2	0675431	0675441
	4	0675612	0675622		4	0675432	0675442
	6	0675613	0675623		6	0675433	0675443
	8	0675614	0675624		8	0675434	0675444



DM - SOLID BASE

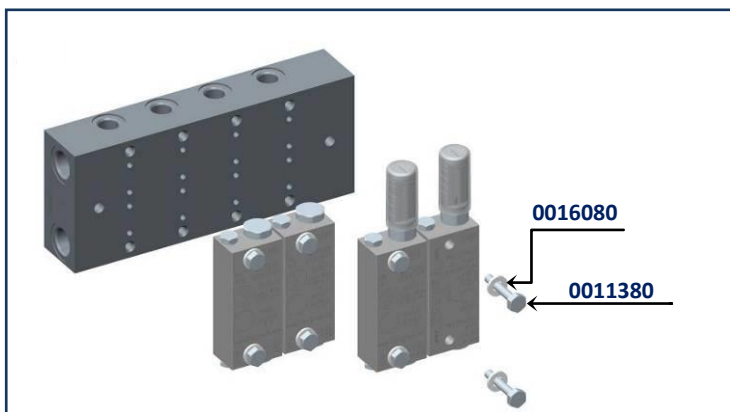
CONFIGURATION MODULE

1. VALVES

2. BASE

FLOW RATE cm ³ (cu. in.)	VALVES	PART NUMBER	NPTF	BSP	OUTLETS
0.1-1 (.006-.061)	DMM	0675335	0675571	0675551	2
0.25-3 (.015-.183)	DM	0675300	0675572	0675552	4
1 (.061)	DMMF	0675385	0675573	0675553	6
3 (.183)	DMF	0675301	0675574	0675554	8
			0675575	0675555	10
			0675576	0675556	12

Locking plate valve as an alternative to the valve **0675305**



SCREWS to be ordered separately

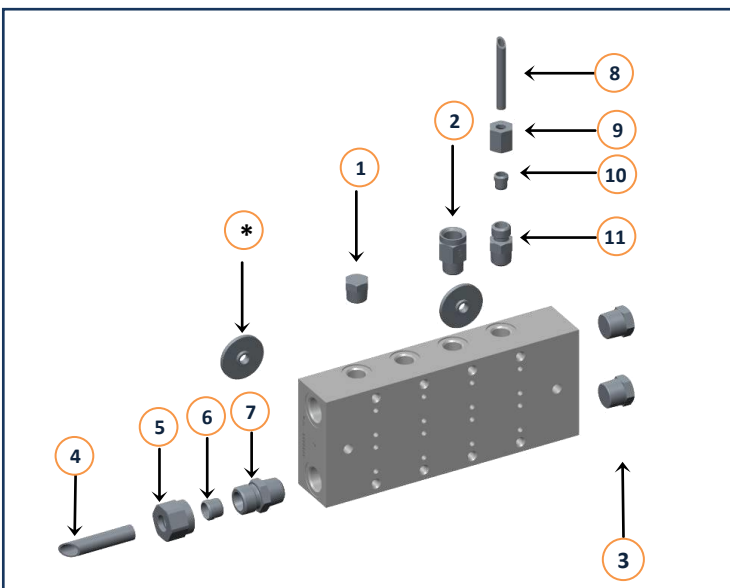
DESCRIPTION	PART NUMBER
Base assembly screws	0014090 *
Threaded grub screw for base	1523343 *
Washer for assembly screws	0016080 *

PROTECTIVE CAP		
MATERIAL	MARKING	PART NUMBER
Transparent	DM-DMM	0671095
Aluminium	DM-DMM	0618215+3190310

SPARE TURRET	PART NUMBER
DM	0675638
DMM	0675636

REDUCER FITTINGS	PART NUMBER
M 1/4 NPTF - F 1/4 BSP reducer fitting	3077166
M 3/8 NPTF - F 3/8 BSP reducer fitting	3077165
M 1/4 NPTF - F 1/4 NPTF reducer fitting	3077059
M 3/8 BSP - F 3/8 NPTF reducer fitting	3077128

	PART NUMBER
*Washer	0233256

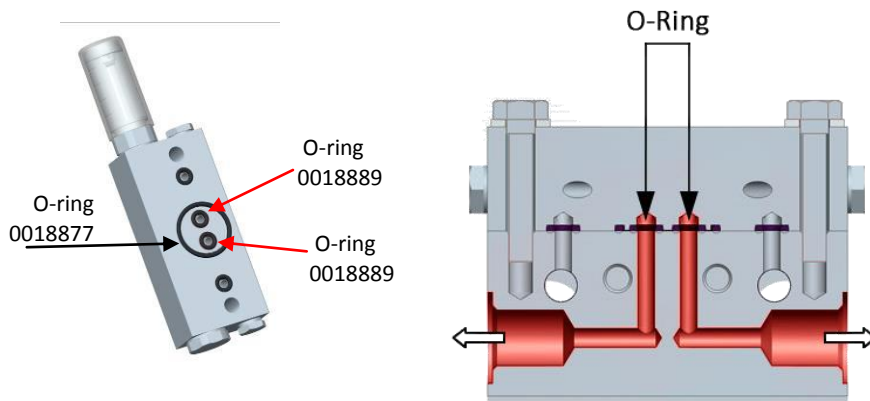


PIPES AND FITTINGS

POSITION	DESCRIPTION	NICKEL PLATED STEEL	POSITION	DESCRIPTION	NICKEL PLATED STEEL
1	1/4 BSP PLUG	0926001	7	3/8" TERMINAL WITH STEEL GASKET Ø10	0091652
	NPTF PLUG	0643213		3/8" TERMINAL WITH STEEL GASKET Ø12	0091653
2	BSP NON-RETURN VALVE	0092313		3/8" TERMINAL WITH STEEL GASKET Ø16	0091664
	NPTF NON-RETURN VALVE	0092340	8	PIPE Ø6	5119812
3	3/8 BSP PLUG	0926002		PIPE Ø8	5119813
	NPTF PLUG	0850305	PIPE Ø10	5119808	
4	PIPE Ø10	5119808	9	NUT Ø6	0091396
	PIPE Ø12	5119809		NUT Ø8	0091401
	PIPE Ø16	5119801		NUT Ø10	0091406
5	NUT Ø10	0091406	10	RING Ø6	0091590
	NUT Ø12	0091411		RING Ø8	0091596
	NUT Ø16	0091416		RING Ø10	0091601
6	RING Ø10	0091601	11	1/4" TERMINAL, Ø6	0091952
	RING Ø12	0091607		1/4" TERMINAL, Ø8	0091959
	RING Ø16	0091612		1/4" TERMINAL, Ø10	0091966
3/8" TERMINAL, Ø10	0091967	1/4" TERMINAL WITH VITON® GASKET, Ø6		0091650	
3/8" TERMINAL, Ø12	0091975	1/4" TERMINAL WITH VITON® GASKET, Ø8		0091651	

HOW TO CONVERT FROM TWO OUTLETS TO ONE

2 OUTLETS

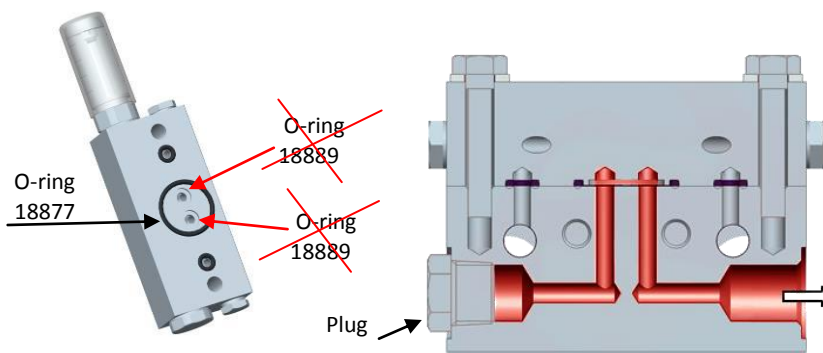


The valves are fitted as standard with two free outlets.

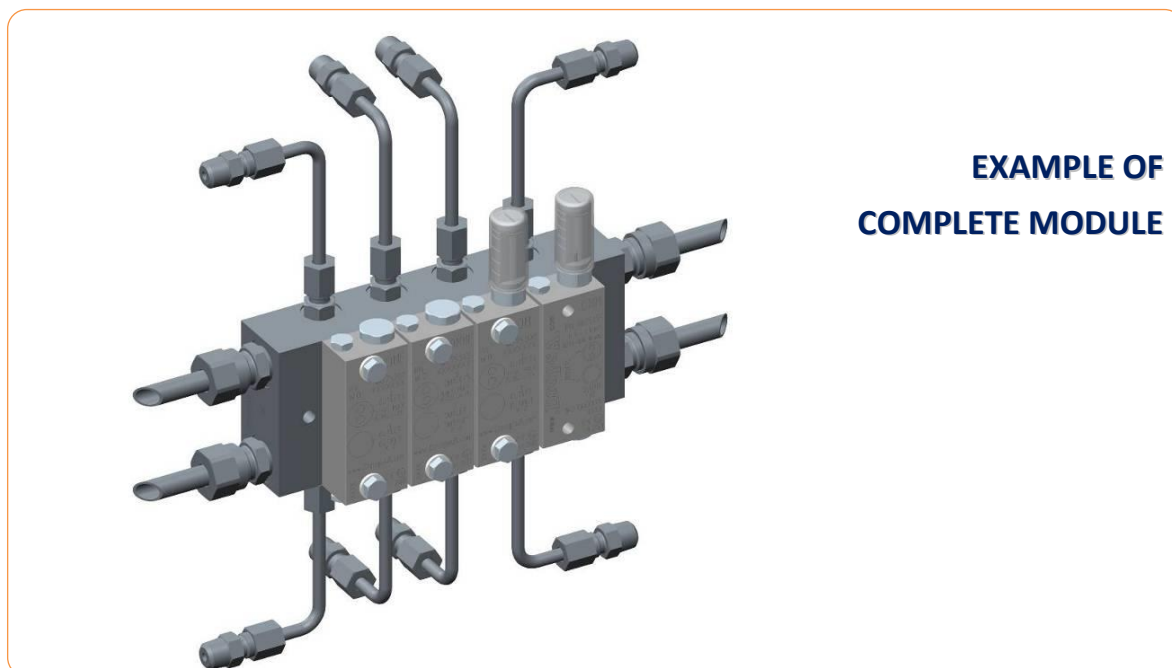
For use with only one outlet, it is necessary to:

- unscrew the two fastening screws that secure the divider to the base and turn it over
- remove the two O-rings (part number 18889) located inside.
- Lastly, re-mount the divider onto the base.

1 OUTLET



IMPORTANT Separately order the plug with part no. 0926001 (UNI-ISO) or part no. 0850304 (NPTF) to close the outlet not used.



EXAMPLE OF COMPLETE MODULE

Distributor info: