

CHARACTERISTICS

- THE TWO OUTPUTS ARE COMBINED BY REPLACING THE ADAPTER
- AVAILABLE WITH SINGLE AND DOUBLE OUTLETS
- AIR EXHAUST VALVES INCORPORATED IN BOTH SIDES OF THE BASE
- AVAILABLE WITH THREAD: BSP
- OPERATING PRESSURE: UP TO 500 BAR
- OIL AND GREASE FUNCTION
- SAFE AND CONTROLLED LUBRICATION
- EASY AND FLEXIBLE ASSEMBLY WITH LOW MAINTENANCE COSTS
- POSSIBILITY OF SUBSTITUTING THE METERING ELEMENTS

SMX PROGRESSIVE MODULAR DIVIDERS MADE OF AISI 316 STAINLESS STEEL

The **SMX INOX AISI 316** modular dividers are capable of guaranteeing precise lubrication while maximising the efficiency of lubrication systems.

The divider consists of two main parts:

- **THE BASE** (consisting of a minimum of three elements)
- **METERING VALVES**

To maximize the performance of the system, it is crucial to use **electrical monitoring elements** that detect malfunctioning or system blockage.

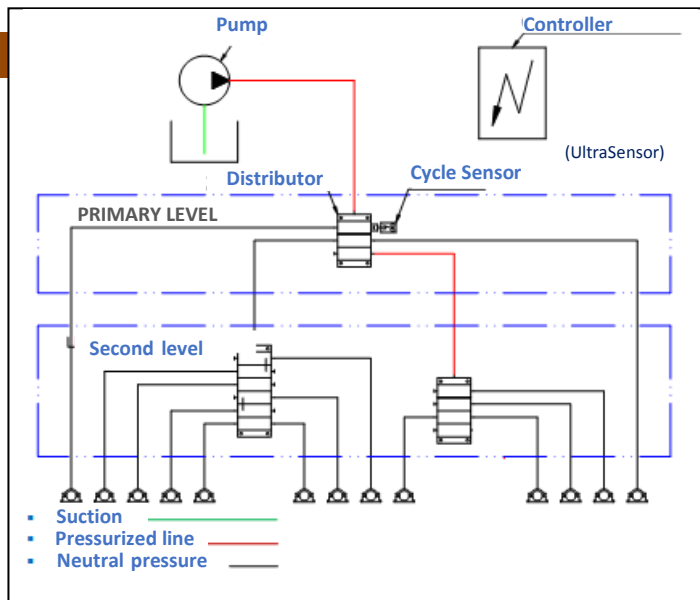
Thanks to its **modularity**, the system can be easily expanded and replacement of metering elements can occur without removing the pipework, thereby guaranteeing low maintenance costs. The modularity of the dividers furthermore allows you to bundle lubrication points according to system requirements.

The **SMX INOX AISI 316** dividers have been designed to be used in environments where a high risk of metal parts oxidising exists, typical in the food or maritime sectors.



THE BASICS

OPERATING PRINCIPLE



The system is easily expandable and the modular concept permits its replacement at low cost.

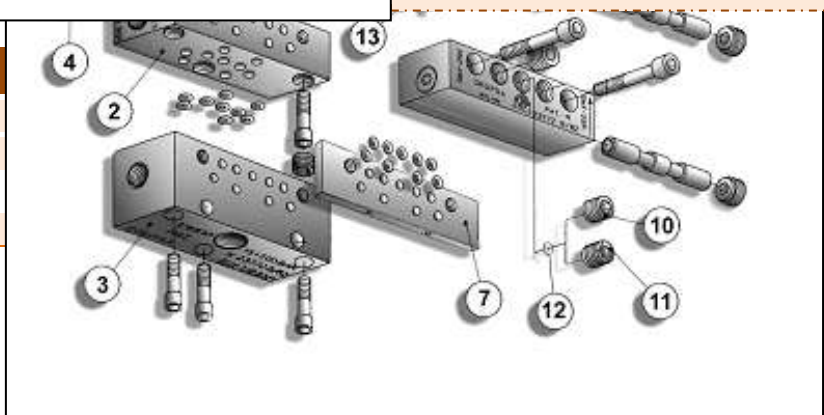
The diagram shows a progressive system, where the lubricant is pumped into a single input of a "progressive divider" (master divider), and is divided by volume into a number of points through the progressive movement of the pistons arranged in sequence.

The cycle is controlled by the UltraSensor monitoring element.

APPLICATIONS

- ANY OIL AND GREASE LUBRICATION SYSTEM

- Inlet thread
- Outlet thread
- Max. pressure
- Permitted lubricants





THE BASE CONSISTS OF A MINIMUM OF **THREE ELEMENTS**.
INITIAL, INTERMEDIATE AND FINAL BASE

For assembling, it is essential to know the number of outlets required to lubricate the system in order to identify the number of useful items.

An unlimited number of elements can be added to the bases.

The assembly and the replacement of the metering elements is very simple:

- Position the valve on its base.
- Insert fastening screws.
- Tighten them.

The elements can be assembled simply, without having to remove the pipework.

During assembly, pay attention to the O-rings situated on the side of the base.

Thanks to the bridge plates, it is possible to transfer the flow rate of one metering valve to the next one.

They must be ordered at the base on the side of the outlet that you want to add, for example, a right bridge, left bridge or left/right bridge for both.

The side of the bridge element is indicated directly on the piece by an arrow that indicates the outlet connected to the following one.

For assembly, position the bridge plate on the base; connect the metering valve and used two fastening screws supplied with the bridge element to fasten everything.

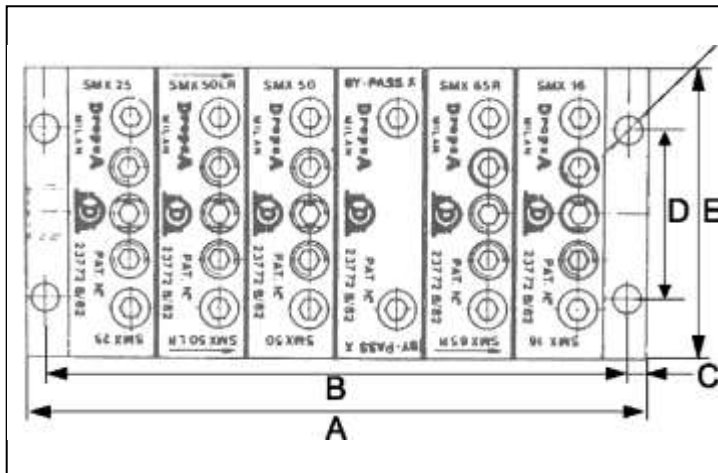
IMPORTANT: plug the outlets corresponding to the arrows on

POSITION	DESCRIPTION	PART NUMBERS
1	End base	0646515
2	Intermediate base	0646513
3	Initial base	0646512
4	Check valve	0519335
5	Plug	0646254
6	Sx-Dx bridge element	0646223
7	Sx bridge element	0646221
8	Dx bridge element	0646220
9	Bridge element, single outlet	0646222
10	White adapter for single outlet	0646250
11	Yellow adapter for two separate outlets	0646251
12	Sealing disc	0641791
13	Viton® O-ring gasket	0018887



METERING VALVES - FLOW RATES AND SIZES

FLOW RATE FOR OUTLET			
FLOW RATE FOR OUTLET			1 OR 2 OUTLETS
cc.	cu. in	PART NUMBER	SYMBOL
0.04	.0024	646524	SMX 04
0.08	.005	646516	SMX 08
0.16	.010	646517	SMX 16
0.25	.015	646518	SMX 25
0.35	.021	646519	SMX 35
0.40	.025	646520	SMX 40
0.50	.030	646521	SMX 50
0.60	.036	646522	SMX 60
0.65	.040	646523	SMX 65

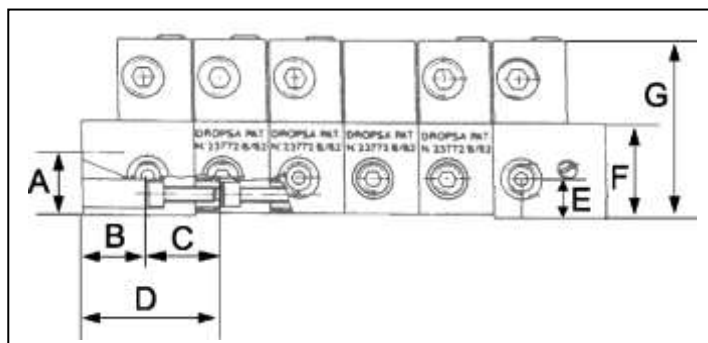


BASIC DIMENSIONS OF ASSEMBLIES

No.	A		B	
	mm	in	mm	in
3	93.02	3.6	83.02	3.2
4	116.44	4.5	106.44	4.1
5	139.86	5.4	129.86	5.1
6	163.28	6.4	153.28	6.1
7	186.70	7.2	176.70	6.9
8	210.12	8.2	200.12	7.8
9	233.53	9.1	223.53	8.7
10	256.95	10.1	246.95	9.6
11	280.37	10.9	270.37	10.5
12	303.79	11.8	293.79	11.4
13	327.21	12.8	317.21	12.4
14	350.63	13.7	340.63	13.3
15	374.05	14.6	364.05	14.2
16	397.47	15.5	387.47	15.1
17	420.89	16.4	410.89	16.1
18	444.30	17.3	434.30	16.9
19	467.72	18.2	457.72	17.8
20	491.14	19.1	481.14	18.8

DIMENSIONS OF SMX ELEMENTS

C		D		E		Ø
mm	in.	mm	in.	mm	in.	
5.0	2	44.45	1.73	76	2.9	7.2



DIMENSIONS OF INDIVIDUAL ELEMENTS

A		B		C		D	
mm	in	mm	in	mm	in	mm	in
20	0.78	20.2	0.78	23.42	0.91	35	1.36
E		F		G			
mm	in	mm	in	mm	in		
12.5	0.72	30	1.17	56	2.2		



SMX

MONITORING DEVICE



To complete the system, it is recommended to use of a controller device capable of verifying the proper operation of the divider package.

The suggested devices are electric (UltraSensor).

TECHNICAL CHARACTERISTICS

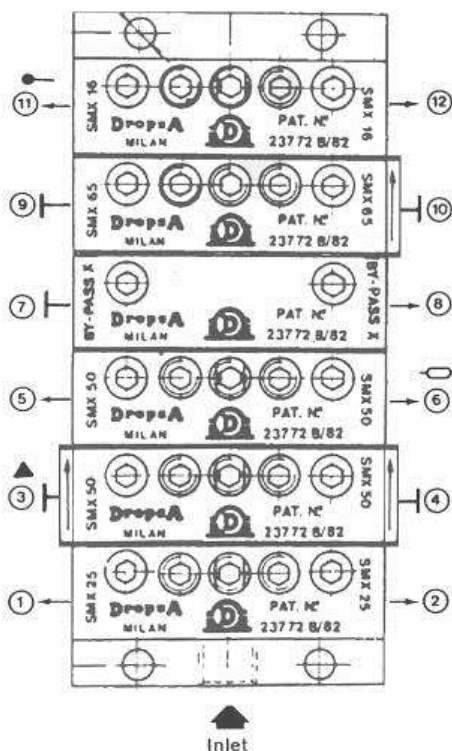
Material	AISI 316
Max. cycles per minute	1000
Power Supply	8 ÷ 28 V DC
Short circuit protection	✓
Viewer LED	✓
Operating temperature	- 10 °C ÷ + 60
Protection degree	IP 67
Outlet sign	NPN 2A N.O. - PNP 0.7A N.O

ULTRASENSOR (ELECTRIC)

DESCRIPTION	PART NUMBER
Ultrasensor, stainless steel, AISI 316	1655340

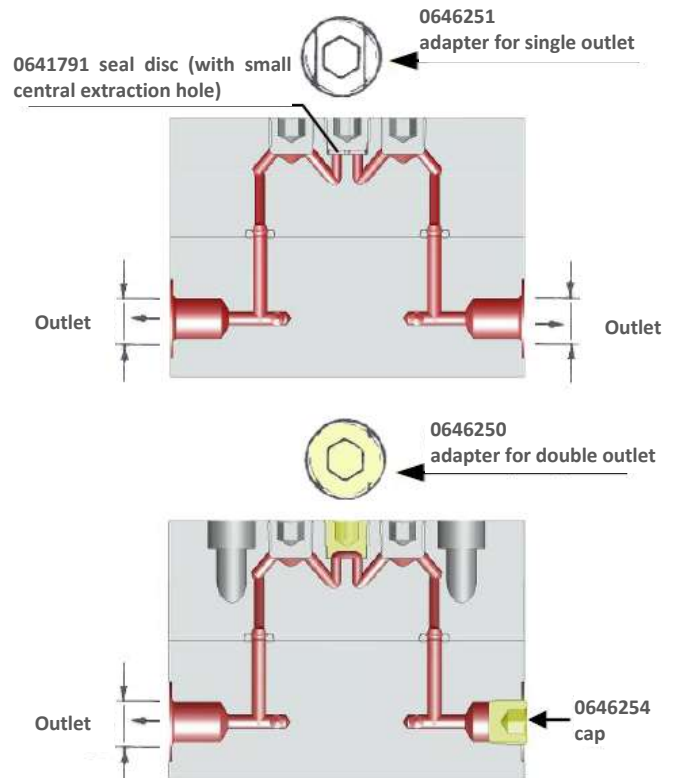
ORDER INFORMATION

WARNING: to determine the outlets, take note that the assembly is seen vertically and the outlets are numbered sequentially starting from the bottom (inlet) from left to right.



DEVICE TO MERGE OR TO SEPARATE OUTLETS

It is possible to add the two flow rates of a single element by substituting the white adapter, Part Number **0646251**, with the yellow adapter, Part Number **0646250**, as illustrated in the drawing below. When the two outlets are connected, remember to close off the one that is not being used with a plug.



C2111PE WK 35/17

Dropsa products can be purchased at Dropsa branches and authorised distributors. Go to www.dropsa.com/contact or write to sales@dropsa.com

Distributor info: