

## CHARACTERISTICS

- SINGLE AIR/OIL INLET
- DOES NOT REQUIRE SEPARATE AIR AND OIL INLETS
- 2-4-6-8 OUTLETS
- DROPSA OPTIMIZED AIR-FLOW ORIFICE SYSTEM TO BEST BALANCE OUTPUT
- USE ANTIOXIDANTS OILS

## AIR/OIL SPLITTER BLOCK

This Air/Oil lubrication splitter is a proportional divider that approximately divides an air/oil mixture stream into equal proportion according to the number of outlets.

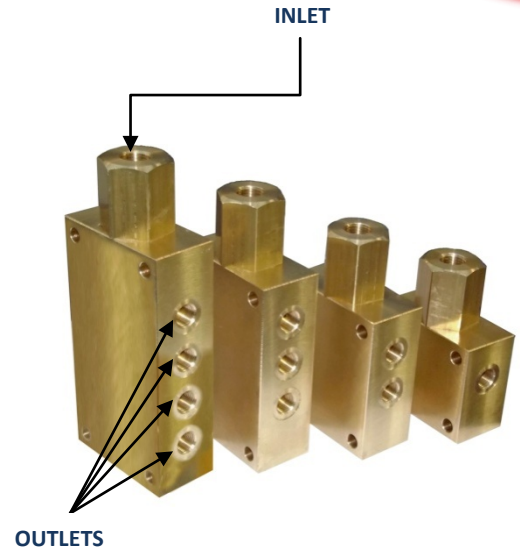
An Air/Oil mixture is fed into the inlet and the splitter divides the mixture into two, four, six or eight outlets.

Dropsa has optimized the division of the air/oil stream by use of extensive CFD and practical experimentation data to optimize output deliver. This allows a more precise delivery of air/oil flow to the lubrication points than conventional splitter blocks.

The Air/Oil Lubrication splitters are used generally for lubrication of bearings in rolling mills and levelling machines.

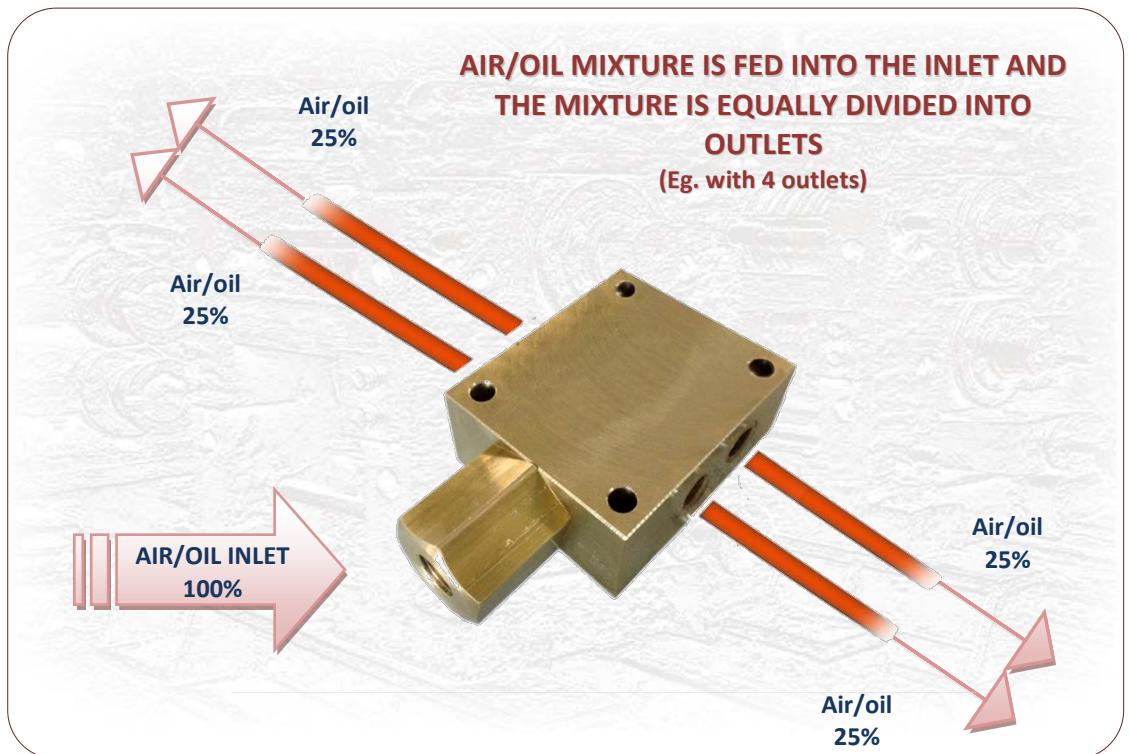
The main advantage of using air/oil splitter block technology is given by the requirement for only a single tubing containing the Air –Oil flow. There is no requirement for dual tubing (one for air one for oil) up to the lubricating device as is common on volumetric system.

Splitter Block technology is less accurate than volumetric technology but can achieve substantial saving on initial system costs due to the reduction in tubing.



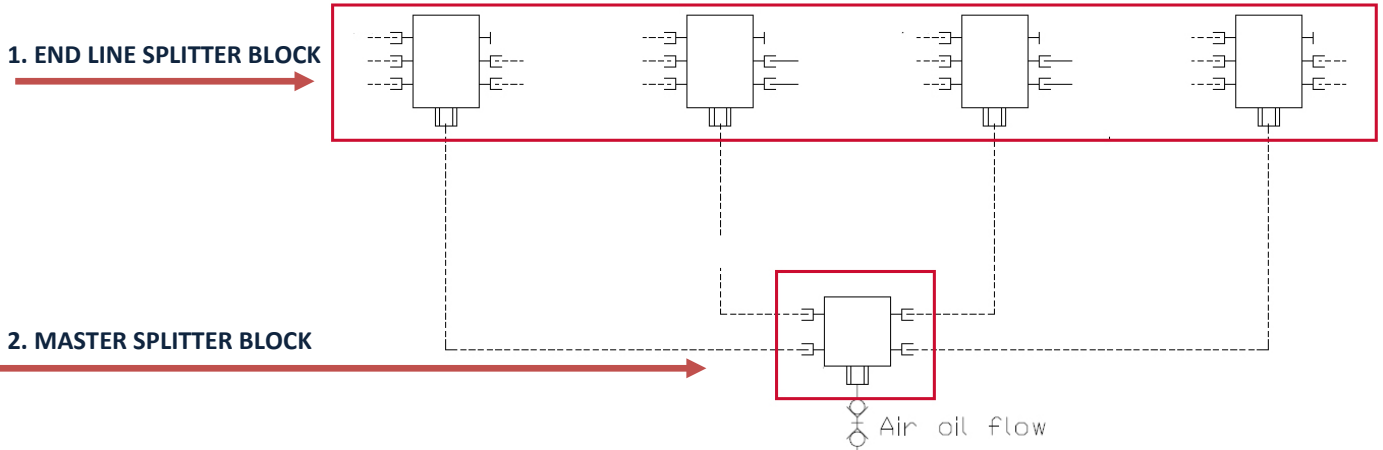
## APPLICATIONS

- HEAVY INDUSTRY AIR/OIL CASTINGS
- ROLLING MILLS
- AIR/OIL SYSTEMS



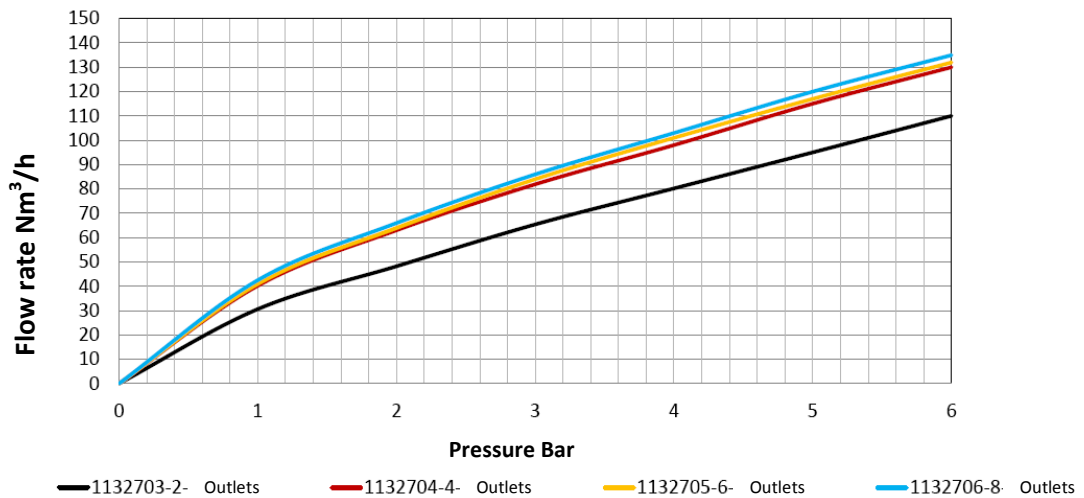
TECHNICAL FEATURES	
Material	Brass
Working temperature	-5 °C ÷ +70 °C
Air working pressure	2÷6 bar
Lubricants	Oil: 32÷460cSt- ISO 6743-6 L-CKC Type

Splitter block is available in two versions to design big lubrication system.

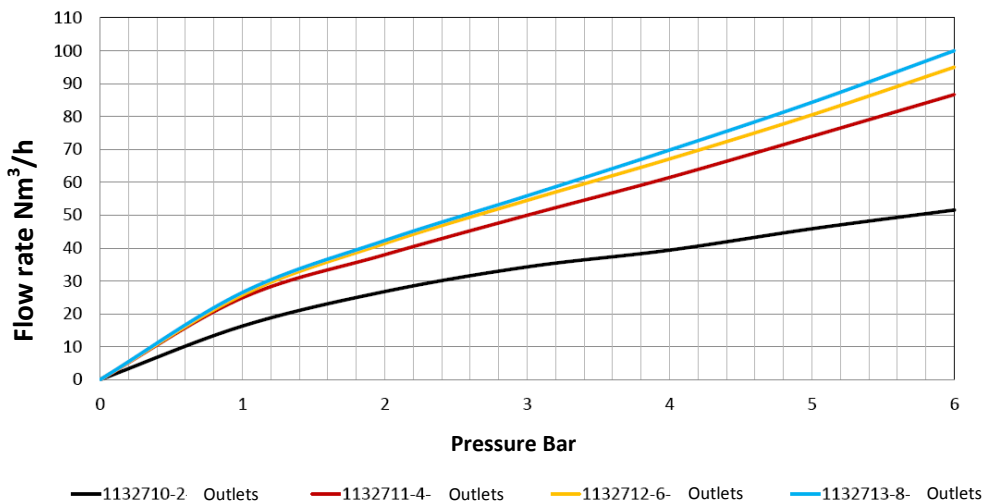


## SCHEMI PORTATE

Inlet air flow rate for G 1/2" splitter block

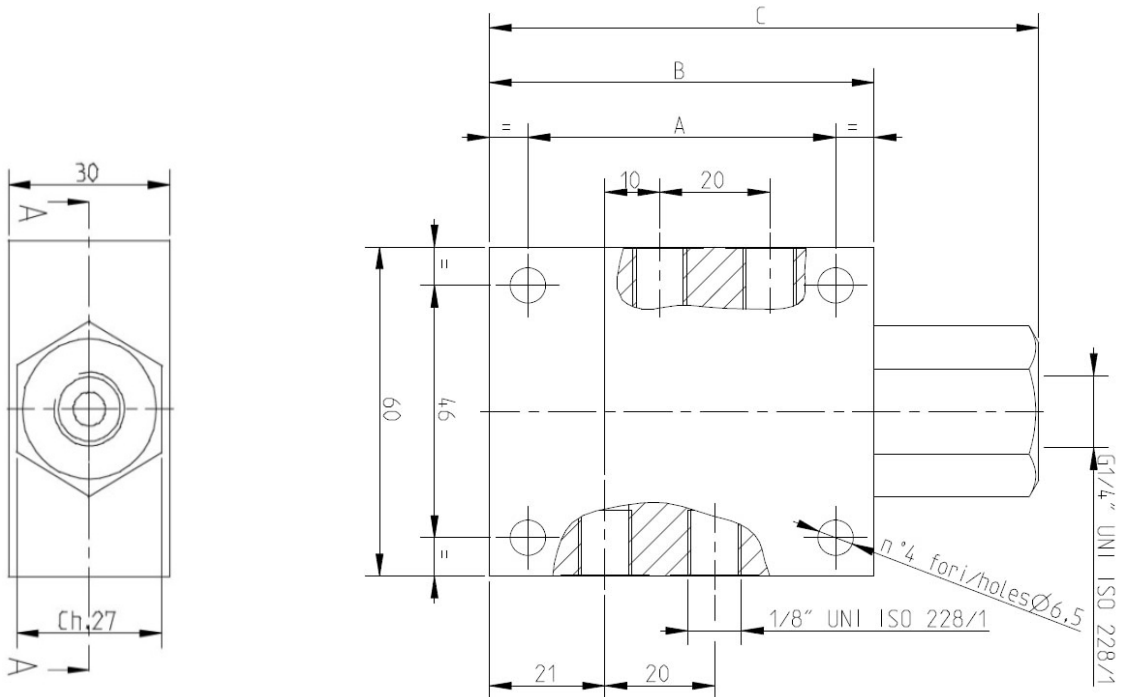


Inlet air flow rate for G 1/4" splitter block



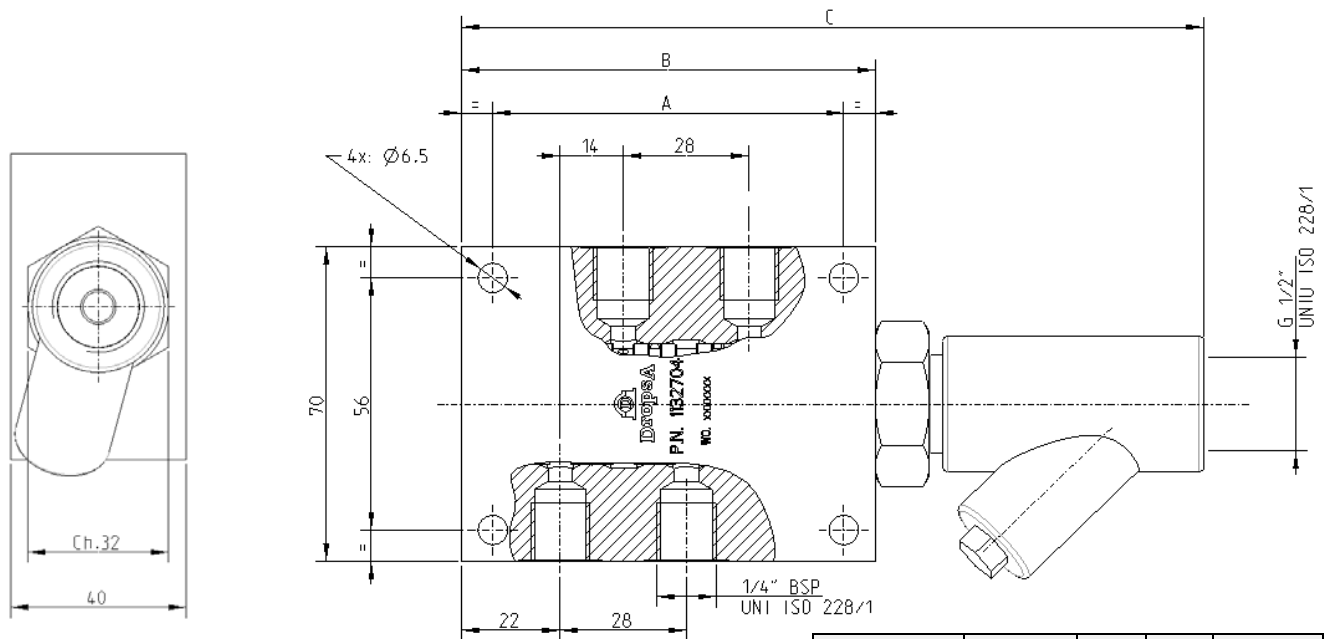
## DIMENSIONS (NOT TO SCALE)

### END LINE SPLITTER BLOCK



CODE	OUTLETS	A	B	C
1132710	2	36	58	80
1132711	4	56	70	100
1132712	6	76	90	120
1132713	8	96	110	140

### MASTER SPLITTER BLOCK



CODE	OUTLETS	A	B	C
1132703	2	50	64	137
1132704	4	78	92	165
1132705	6	106	120	193
1132706	8	134	148	221



# AIR/OIL SPLITTER BLOCK

## ORDERING INFORMATION

END LINE SPLITTER BLOCK	INLET	OUTLET	PART No.		Q.TY
	G 1/4" UNI ISO 228/1	2 - 1/8	1132710	<input type="radio"/>	_____
		4 - 1/8	1132711	<input type="radio"/>	_____
		6 - 1/8	1132712	<input type="radio"/>	_____
		8 - 1/8	1132713	<input type="radio"/>	_____
		2 - 1/4	1132703	<input type="radio"/>	_____
MASTER SPLITTER BLOCK	G 1/2" UNI ISO 228/1	4 - 1/4	1132704	<input type="radio"/>	_____
		6 - 1/4	1132705	<input type="radio"/>	_____
		8 - 1/4	1132706	<input type="radio"/>	_____
					_____

## ACCESSORIES

TUBE		Copper tube ø 6x1	5501203	<input type="radio"/>	_____	
		Copper tube ø 8x1	5501204	<input type="radio"/>	_____	
		Copper tube ø 10x1	5501205	<input type="radio"/>	_____	
		Steel tube ø 6x1	5119812	<input type="radio"/>	_____	
		Steel tube ø 8x1	5119813	<input type="radio"/>	_____	
		Steel tube ø 10x1	5119808	<input type="radio"/>	_____	
		Stainless steel tube ø 6x1,5	5244110	<input type="radio"/>	_____	
		Stainless steel tube ø 8x1	5244111	<input type="radio"/>	_____	
		Stainless steel tube ø 10x1	5244112	<input type="radio"/>	_____	
INLET FITTINGS 1/4 BSP	FOR COPPER PIPE	Inlet straight conn. ø 8	0092115	<input type="radio"/>	_____	
		Inlet straight conn. ø 6	0092080	<input type="radio"/>	_____	
		Inlet straight conn. ø 10	0092139	<input type="radio"/>	_____	
	FOR STEEL PIPE	Inlet straight conn. ø 8	0091960	<input type="radio"/>	_____	
		Inlet straight conn. ø 6	0091953	<input type="radio"/>	_____	
		Inlet straight conn. ø 10	0091969	<input type="radio"/>	_____	
	FOR STAINLESS STEEL PIPE	Inlet straight conn. ø 8	0519304	<input type="radio"/>	_____	
		Inlet straight conn. ø 6	0519313	<input type="radio"/>	_____	
		Inlet straight conn. ø 10	0519305	<input type="radio"/>	_____	
OUTPUT FITTINGS 1/8 BSP	FOR COPPER PIPE	Inlet straight conn. ø 6	0092088	<input type="radio"/>	_____	
		FOR STEEL PIPE	Inlet straight conn. ø 6	0091951	<input type="radio"/>	_____
			FOR STAINLESS STEEL PIPE	Inlet straight conn. ø 6	0519303	<input type="radio"/>
	Plug 1/8			Steel	0091144	<input type="radio"/>
		Stainless steel		0519160	<input type="radio"/>	_____
	Plug 1/4	Steel	0926001	<input type="radio"/>	_____	
		Stainless steel	0519161	<input type="radio"/>	_____	

Info Distributor: