

BRAVO 4.0

MANUAL / LTC (LUBRICATE TIME CONTROL)

ADVANCED DESIGN AND SOLUTIONS

DropsA



BRAVO 4.0

MANUAL / LTC (LUBRICATE TIME CONTROL) ADVANCED DESIGN AND SOLUTIONS

The **Bravo 4.0** electric pump is a robust and compact piston pump, designed for progressive grease and oil lubrication of machinery used in various sectors.

This pump has been developed to meet the wide range of space-related application needs, therefore there is provision for integrating tanks of different capacities as required.

The tank is made of plastic (PET) and has mounting holes that reduce the possibility of lubricant leakage to zero, as well as other features that make it easy to install. The pump is available in 2 macro-versions, which can be used with grease, oil and wind turbine follower plate disc:

- **MANUAL:** it can be managed by PLC and external connectors; as it is not equipped with an internal control unit, this version is a cost-effective solution for lubricating your equipment.
- **LTC:** with programmable PCB and DIP Switch; this version is equipped with run/error LED signals.

APPLICATIONS

- Wind turbines
- Glass or woodworking, earthmoving and agriculture machinery
- Mining or construction industry, chains and gears

ADVANTAGES

- It is designed to operate with up to three pumps, for an overall higher flow rate.
- A remote reset button for LTC versions can be supplied as optional.
- The main body of the pump is made from high performance robust plastic and is compact in size designed to withstand tough environments.



CHARACTERISTICS

NEW TANK DESIGN

VOLTAGE:

12V AC / DC - 24V AC / DC
110V / 230V 50 / 60 HZ

FLOW RATE:

0.14 CM³ / REV (0.008 IN³ / REV)
ADJUSTABLE - 0.02 ÷ 0.13 CM³ / REV
(0.0012 - 0.08 IN³ / REV)
0.19 CM³ / REV (0.011 IN³ / REV)
ADJUSTABLE - 0.03 ÷ 0.2 CM³ / REV
(0.0018 - 0.012 IN³ / REV)

BRACKET FOR MOUNTING ON WIND TURBINES

MONITORING OF LUBRICANT LEVEL

DEGREE OF PROTECTION:

P69K (DIN 72585 / UTS VERSION)
IP67 (M12 VERSION)
IP65 (DIN 43650 / MPM 203
VERSION)

GENERAL TECHNICAL CHARACTERISTICS

POWER SUPPLY VOLTAGE	DC		AC - 50 Hz		AC - 60 Hz	
	12V	24V	110V	230V	110V	230V
RATED CURRENT CONSUMPTION	1.5A	0.7A	0.3A	0.2A	0.3A	0.2A
NUMBER OF OUTPUTS (PUMP ELEMENTS)	1 (3 MAX.)					
DELIVERY THREAD (PUMP ELEMENT OUTLET)	G1/4"					
RATED FLOW RATE PER SINGLE OUTLET (PUMPING ELEMENT) (25 RPM)	0.14 CM ³ / REV (0.008 IN ³ / REV) ADJUSTABLE - 0.02 ÷ 0.13 CM ³ / REV (0.0012 - 0.08 IN ³ / REV) 0.19 CM ³ / REV (0.011 IN ³ / REV) ADJUSTABLE - 0.03 ÷ 0.2 CM ³ / REV (0.0018 - 0.012 IN ³ / REV)					
MAXIMUM WORKING PRESSURE	350 BAR (4061 PSI)					
TANK CAPACITY OIL / GREASE VERSIONS	2 - 4 - 6 - 10 - 14 LT (0.53 - 1.05 - 1.58 - 2.64 - 3.7 GALLONS US)					
TANK CAPACITY GREASE VERSIONS W/ FOLLOWER PLATE	2 - 4 - 8 - 12 KG (0.53 - 1.05 - 2.11 - 3.17 GALLONS US)					
MIN. / MAX. GREASE CONSISTENCY	NLGI 000 / NLGI 2					
MIN. OIL VISCOSITY	46 CST AT AMBIENT TEMPERATURE					
OPERATING TEMPERATURE	-25 °C ÷ +80 °C					
STORAGE TEMPERATURE	-30 °C ÷ +90 °C					
MAX. R.H. WITHOUT CONDENSATION DURING OPERATION	90%					
DEGREE OF PROTECTION	IP69K (DIN 72585 / UTS VERSION) IP67 (M12 VERSION) IP65 (DIN 43650 / MPM 203 VERSION)					
SOUND PRESSURE LEVEL	< 70 DB (A)					

DESIGN AND NEW PERFORMANCE COMPARED TO THE BRAVO VERSION

Dropsa



BRAVO 4.0



BRAVO

IP PROTECTION	IP69K (DIN 72585 / UTS VERSION) IP67 (M12 VERSION) IP65 (DIN 43650 / MPM 203 VERSION)	IP65 (IP69K WITH SPECIAL EQUIPMENT)
CONTINUOUS LEVEL MONITORING	✓	✗
OPTICAL LEVEL IO-LINK / DIGITAL (OPTIONAL)	✓	✗
WIRING SET-UP	BOTH SIDES + CUSTOMISABLE PLATE	RIGHT ONLY
MAXIMUM FLOW RATE (CC / REV)	0.19 CC / REV × 3 PUMP ELEMENTS = 0.57 CC / REV	0.19 CC / REV × 3 PUMP ELEMENTS = 0.57 CC / REV
MAXIMUM PRESSURE (BAR)	350	280
VENT VALVE SUPPORT	✓	✗
PUMPING ELEMENTS	SCREWED INTO THE HOUSING	SCREWED INTO THE NUT
FIXING HOLES	DOUBLE SLOT FOR GREATER COMPATIBILITY	ONLY 1 FIXING HOLE
CYCLE BUTTON (LTC ONLY)	✓	✗

EXAMPLE OF LUBRICATION SYSTEM ON WIND TURBINES

The **Bravo 4.0** pump is the optimal solution for installation on wind turbines and many types of vehicles such as: earthmoving machinery, agricultural machinery and other special vehicles.

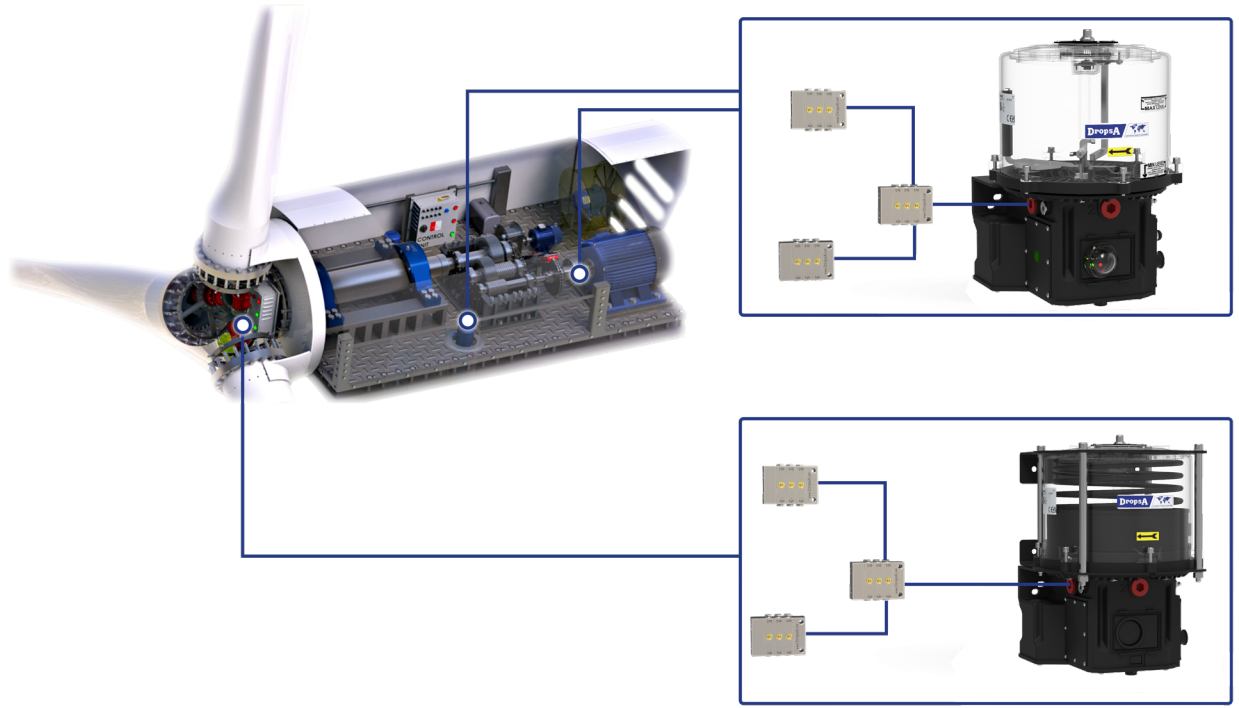
The complete lubrication system includes:

- BRAVO 4.0 pump
- Distributors
- Remote status indication with control button

The wind turbine-mounted version has an upper bracket and an additional lower bracket to increase strength and the number of fixing points.

The tank contains the spring with the plate disc, so that the pump can also operate upside down.

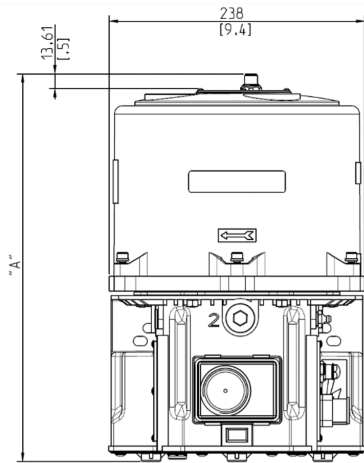
The follower plate disc is flat, so that the optical level can read the precise position and detect the amount of residual grease.



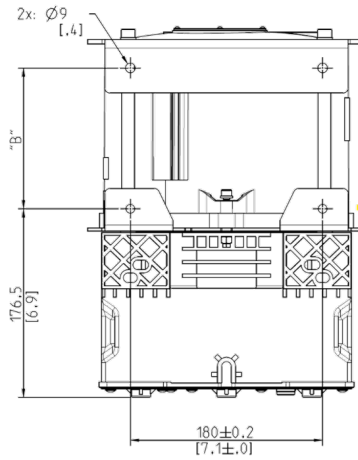
DIMENSIONS

Dropsa

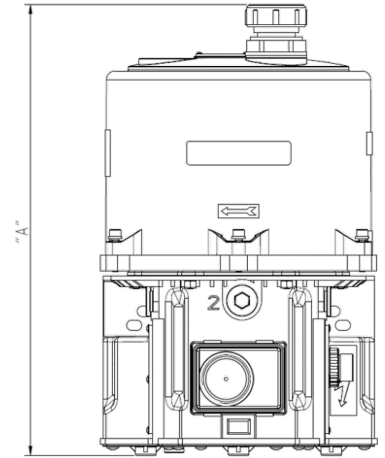
VERSIONS
GREASE / FOLLOWER PLATE



VERSION
WITH BRACKETS



OIL VERSION

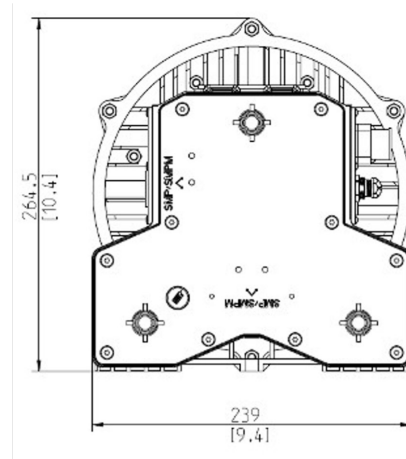
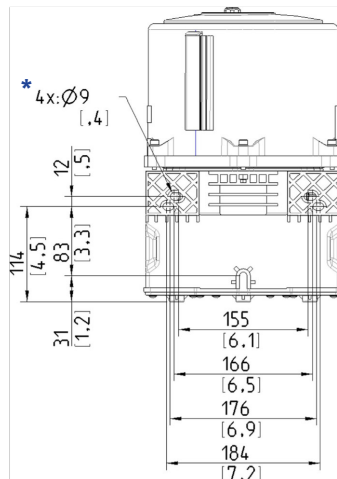
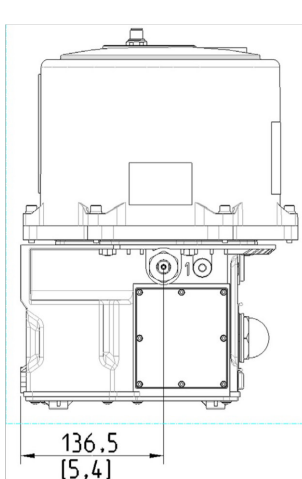


GREASE TANK	VALUE 'A'	GREASE TANK WITH FOLLOWER PLATE	VALUE 'A'	VALUE 'B'	OIL TANK	VALUE 'A'
2 KG	257 (N.A.)	2 KG	347 (361)	132	2 KG	303
4 KG	347 (361)	4 KG	397 (411)	182	4 KG	393
6 KG	397 (411)	8 KG	499 (513)	284	6 KG	443
10 KG	499 (513)	12 KG	604 (618)	389	10 KG	545
14 KG	604 (618)	-	-	-	14 KG	650

Note (xxx) = with optical level
Flanges are provided for the 10 kg and 14 kg versions, both grease and oil versions.

*** FOR PUMP FASTENING USE:**

SCREWS	M8 (8.8)
NUTS	M8 (8.8)
WASHERS	8
TIGHTENING TORQUE	18 N M + / - 1.0 N M



GREASE VERSION WITH FOLLOWER PLATE

Tank size available
(2 - 4 - 8 - 12 Kg)



Minimum level sensor

OIL VERSION

Loading plug

Tank size available
(2 - 4 - 6 - 10 - 14 Kg)

Auxiliary return port
G1/8"



GREASE VERSION

Grease breaker

Minimum flag detachment level

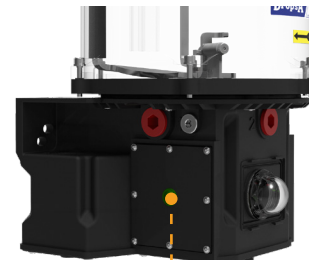
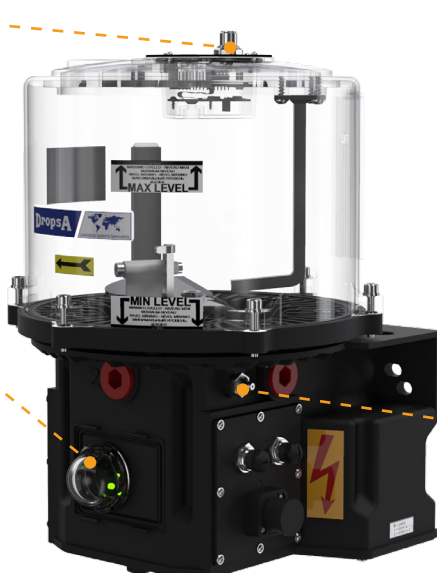
Tank size available
(2 - 4 - 6 - 10 - 14 Kg)



LTC ELECTRONICS / LEVEL SENSOR (VALID FOR ALL VERSIONS)

Optical IO-Link / digital level connector (optional)

Viewing window / configuration status



Extra cycle key

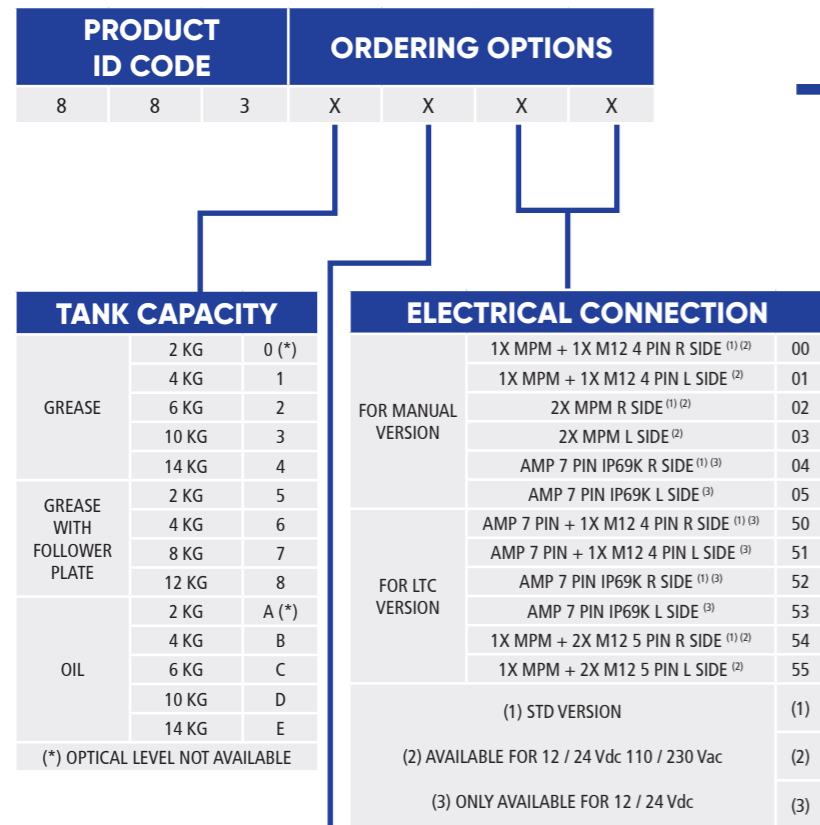
Filling grease nipple holder

ORDERING INFORMATION

The pump can be configured according to customer requirements.
The order code is derived from the above-mentioned identification string divided into two sections:

Product ID code = Product type identifier (Bravo 4.0)

Ordering options = Available product configuration options.



POWER		
MANUAL WITHOUT OPTICAL LEVEL	12 Vdc	0
	24 Vdc	1
	110 / 220 V 50 / 60 Hz	2
MANUAL (*) WITH OPTICAL LEVEL	12 Vdc	E
	24 Vdc	F
	110 / 220 V 50 / 60 Hz	G
LTC WITHOUT OPTICAL LEVEL	12 Vdc	3
	24 Vdc	4
	110 / 220 V 50 / 60 Hz	5
(*) LTC WITH OPTICAL LEVEL IO-LINK	12 Vdc	H
	24 Vdc	I
	110 / 220 V 50 / 60 Hz	L

(*) FOR OPTICAL LEVEL SEE ACCESSORIES FIGURATION



DIGIT	OUTLET VERSION	SAFETY VALVE	DIGIT	OUTLET VERSION	SAFETY VALVE	DIGIT	OUTLET VERSION	SAFETY VALVE	DIGIT	LABEL
0	NOT PRESENT	NO	0	NOT PRESENT	NO	0	NOT PRESENT	NO	0	NOT PRESENT N/P
1	0.14 CC / REV.	NO	1	0.14 CC / REV.	NO	1	0.14 CC / REV.	NO	1	DIGIT
2	ADJ. 0.02 - 0.13 CC / REV.	NO	2	ADJ. 0.02 - 0.13 CC / REV.	NO	2	ADJ. 0.02 - 0.13 CC / REV.	NO	2	I/O LINK
3	0.19 CC / REV.	NO	3	0.19 CC / REV.	NO	3	0.19 CC / REV.	NO		
4	ADJ. 0.03 - 0.2 CC / REV.	NO	4	ADJ. 0.03 - 0.2 CC / REV.	NO	4	ADJ. 0.03 - 0.2 CC / REV.	NO		
5	0.14 CC / REV.	280 BAR FRONT GREASE NIPPLE	5	0.14 CC / REV.	280 BAR LEFT OUTLET	5	-	-		
6	ADJ. 0.02 - 0.13 CC / REV.	280 BAR	6	ADJ. 0.02 - 0.13 CC / REV.	280 BAR	6	ADJ. 0.02 - 0.13 CC / REV.	280 BAR		
7	0.19 CC / REV.	280 BAR FRONT GREASE NIPPLE	7	0.19 CC / REV.	280 BAR LEFT OUTLET	7	-	-		
8	ADJ. 0.03 - 0.2 CC / REV.	280 BAR	8	ADJ. 0.03 - 0.2 CC / REV.	280 BAR	8	ADJ. 0.03 - 0.2 CC / REV.	280 BAR		
9	0.14 CC / REV.	350 BAR FRONT GREASE NIPPLE	9	0.14 CC / REV.	350 BAR LEFT OUTLET	9	-	-		
A	ADJ. 0.02 - 0.13 CC / REV.	350 BAR	A	ADJ. 0.02 - 0.13 CC / REV.	350 BAR	A	ADJ. 0.02 - 0.13 CC / REV.	350 BAR		
B	0.19 CC / REV.	350 BAR FRONT GREASE NIPPLE	B	0.19 CC / REV.	350 BAR LEFT OUTLET	B	-	-		
C	ADJ. 0.03 - 0.2 CC / REV.	350 BAR	C	ADJ. 0.03 - 0.2 CC / REV.	350 BAR	C	ADJ. 0.03 - 0.2 CC / REV.	350 BAR		
D	STRAIGHT FILLING CONNECTOR	-	D	STRAIGHT FILLING CONNECTOR	-	D	STRAIGHT FILLING CONNECTOR	-		
E	0.14 CC / REV.	280 BAR	E	0.14 CC / REV.	280 BAR	E	0.14 CC / REV.	280 BAR		
F	0.19 CC / REV.	280 BAR	F	0.19 CC / REV.	280 BAR	F	0.19 CC / REV.	280 BAR		
G	0.14 CC / REV.	350 BAR	G	0.14 CC / REV.	350 BAR	G	0.14 CC / REV.	350 BAR		
H	0.19 CC / REV.	350 BAR	H	0.19 CC / REV.	350 BAR	H	0.19 CC / REV.	350 BAR		
I	-	-	I	0.14 CC / REV.	280 BAR RIGHT OUTLET	I	0.14 CC / REV.	280 BAR FRONT GREASE NIPPLE		
L	-	-	L	0.19 CC / REV.		L	0.19 CC / REV.			
M	-	-	M	0.14 CC / REV.	350 BAR RIGHT OUTLET	M	0.14 CC / REV.	350 BAR FRONT GREASE NIPPLE		
N	-	-	N	0.19 CC / REV.		N	0.19 CC / REV.			
O	90° FILLING CONNECTOR	-	O	90° FILLING CONNECTOR	-	O	90° FILLING CONNECTOR	-		

DIGIT	SPECIAL
0	DROPSA

Order example:

883 0 0 0 0 - 1 2 7 0 0		
PUMP ID	883	BRAVO 4.0
TANK	0	2 KG GREASE
POWER SUPPLY	0	12 Vdc MANUAL
CONNECTIONS	00	1X DIN 43650 1X M12
CODING SEPARATOR	-	-
PUMPING ELEMENT OUTLET 1 (LEFT)	1	0.14 CC / REV.
PUMPING ELEMENT OUTLET 2 (FRONT)	2	ADJ. 0.02 - 0.13 CC / REV.
PUMPING ELEMENT OUTLET 3 (RIGHT) WITH PRESSURE RELIEF VALVE	L	0.19 CC / REV. 280 BAR
CUSTOMISED LABEL	0	DROPSA
JOLLY POSITION	0	EMPTY

ACCESSORIES

CODE	DESCRIPTION
0010509	SCREW FOR ASSEMBLING SMP - SMPM
3134209	GREASE FILLING CARTRIDGE KIT
3234406	GREASE FILLER FITTING
3133723	CARTRIDGE-LOADING-KIT
0039999	M12 CONNECTOR - 90° WITHOUT CABLE
0039169	M12 CONNECTOR - DIR. WITHOUT CABLE
3084761	PUSH-IN-DIR M5 Ø6 (BY-PASS CONNECTION)
0888969	PRESSURE RELIEF VALVE WITH GREASE NIPPLE 280 BAR LH
0888970	PRESSURE RELIEF VALVE WITH GREASE NIPPLE 350 BAR LH
0888991	PRESSURE RELIEF VALVE WITH GREASE NIPPLE 280 BAR RH
0888992	PRESSURE RELIEF VALVE WITH GREASE NIPPLE 350 BAR RH
0888989	PRESSURE RELIEF VALVE 280 BAR
0888990	PRESSURE RELIEF VALVE 350 BAR
0093660	GREASE NIPPLE - 1/4" FOR PRESSURE RELIEF VALVE
3134207-A00	LEV. KIT BRAVO4 - 10-LINK
3134207-100	LEV. KIT BRAVO4 - 4KG STEERING DEVICE PNP
3134207-200	LEV. KIT BRAVO4 - 6KG STEERING DEVICE PNP
3134207-300	LEV. KIT BRAVO4 - 10KG STEERING DEVICE PNP
3134207-400	LEV. KIT BRAVO4 - 14KG STEERING DEVICE PNP
3134207-500	LEV. KIT BRAVO4 - 2KG FOLLOWER PLATE PNP
3134207-600	LEV. KIT BRAVO4 - 4KG FOLLOWER PLATE PNP
3134207-700	LEV. KIT BRAVO4 - 8KG FOLLOWER PLATE PNP
3134207-800	LEV. KIT BRAVO4 - 12KG FOLLOWER PLATE PNPV
0093660	GREASE NIPPLE - 1/4" FOR PRESSURE RELIEF VALVE
3237112	90° FILLING FITTING

SPARE PARTS

CODE	DESCRIPTION
3130540	GREASE NIPPLE FILTER

PUMP ELEMENTS

CODE	DESCRIZIONE
0888156	PUMP ELEMENT 0.14 CC / REV
0880104	PUMP ELEMENT 0.19 CC / REV
0888555	ADJUSTABLE PUMP ELEMENT 0.02 - 0.13 CC / REV
0880060	ADJUSTABLE PUMP ELEMENT 0.03 - 0.2 CC / REV
0888976	ADJUSTABLE PUMP ELEMENT 0.02 ÷ 0.13 CC / REV + BYPASS 280 BAR
0888977	ADJUSTABLE PUMP ELEMENT 0.02 ÷ 0.13 CC / REV + BYPASS 350 BAR
0888979	ADJUSTABLE PUMP ELEMENT 0.03 ÷ 0.2 CC / REV + BYPASS 280 BAR
0888980	ADJUSTABLE PUMP ELEMENT 0.03 ÷ 0.2 CC / REV + BYPASS 350 BAR