



## PICCOLA S2

THE NEW VERSION OF THE COMPACT, EFFICIENT,  
COST-EFFECTIVE ELECTROMAGNETIC PUMP



## PICCOLA S2

The **PICCOLA S2** electromagnetic pump is a compact and cost-effective solution for oil lubrication systems. It is ideal for both single point applications and systems with multiple distributors. It can be used in:

- Single Line Systems (01)
- Small systems with 33V progressive valves

The pump dispenses lubricant continuously, however it can be supplemented with an optional timer kit. This kit allows the lubricant to be distributed at regular intervals, thereby adapting to the operational requirements of the machine.

### WHY CHOOSE PICCOLA S2

It is the ideal solution for those looking for a robust, cost-effective and ready-to-use product, even in industrial settings where space is limited and precision is paramount. Thanks to its simple yet reliable design, **PICCOLA S2** reduces machine downtime and ensures constant lubrication.

Furthermore, its versatility makes it perfect for both new systems and those retrofitted.

### APPLICATIONS

- Lubrication for milling, drilling, threading and sawing machines
- Woodworking machines
- Chain lubrication

### ADVANTAGES

- Small in size, it can be adapted to a variety of operating situations.
- Machine tool lubrication at competitive costs.
- Transparent reservoir for quick visual checking of the lubricant status.



### CHARACTERISTICS

COMPARED TO THE PREVIOUS MODEL: DIFFERENT FLOW RATES

COMPACT TANK WITH A NEW DESIGN

COMPATIBLE WITH 33V VALVES (UP TO 12 POINTS)

ADJUSTABLE CYCLES WITH INTEGRATED TIMER

REDUCED DIMENSIONS

EASY INSTALLATION

ELECTRONIC LEVEL CONTROL INCLUDED

SILENT OPERATION <70 DB(A)

COMPATIBLE WITH OILS FROM 15 TO 220 CST

DEGREE OF PROTECTION: IP44 (PUMP) IP65 (TIMER)

POWER SUPPLY: 24 / 120 / 230 VAC

### GENERAL TECHNICAL CHARACTERISTICS

	SYSTEM 01	SYSTEM 33V
APPLICABLE PRODUCT LINE	SYSTEM 01	SYSTEM 33V
MAXIMUM PRESSURE	12 BAR (176.4 PSI)	13.5 BAR (198.45 PSI)
TANK CAPACITY	1 AND 3 LITRES	1 AND 3 LITRES
MAXIMUM WORKING TIME	2 MIN. (MIN. PAUSE TIME FOUR TIMES THE WORKING TIME)	2 MIN. (MIN. PAUSE TIME FOUR TIMES THE WORKING TIME)
LUBRICANT CHARACTERISTICS AT OPERATING TEMPERATURE (MINERAL OIL)	MINERAL OILS 15 - 220 CST AT 20 °C	MINERAL OILS 32 - 100 CST AT 20 °C
OPERATING TEMPERATURE	- 5 °C TO + 60 °C (+23 °F TO +140 °F)	- 5 °C TO + 60 °C (+23 °F TO +140 °F)
STORAGE TEMPERATURE	- 20 °C TO + 60 °C (-4 °F TO +140 °F)	- 20 °C TO + 60 °C (-4 °F TO +140 °F)
OPERATING HUMIDITY	90% MAX.	90% MAX.
ELECTRIC DEGREE OF PROTECTION	IP44	IP44
NOISE LEVEL	<70 DB (A)	<70 DB (A)
POWER SUPPLY VOLTAGES	SINGLE-PHASE 24 - 120 - 230 VAC 50 HZ	SINGLE-PHASE 24 - 120 - 230 VAC 50 HZ
POWER CONSUMPTION	90 W	90 W
INSULATION	CLASS 1	CLASS 1

### FLOW RATE

OIL DENSITY	0 BAR PRESS.	5 BAR PRESS.	8 BAR PRESS.
32 CST (149.9 SUS)	280 CM <sup>3</sup> / MIN (17.1 CU.IN)	180 CM <sup>3</sup> / MIN (11 CU.IN)	130 CM <sup>3</sup> / MIN (7.9 CU.IN)
100 CST (462.6 SUS)	170 CM <sup>3</sup> / MIN (10.4 CU.IN)	120 CM <sup>3</sup> / MIN (7.3 CU.IN)	90 CM <sup>3</sup> / MIN (5.5 CU.IN)
220 CST (1018 SUS)	80 CM <sup>3</sup> / MIN (4.9 CU.IN)	60 CM <sup>3</sup> / MIN (3.4 CU.IN)	50 CM <sup>3</sup> / MIN (2.7 CU.IN)

# EXAMPLE OF A 33V VALVE CONNECTION

CONNECTION WITH 33V VALVES AND MAXIMUM PIPE LENGTHS  
(4 VALVES - 0.03 TO 0.50)

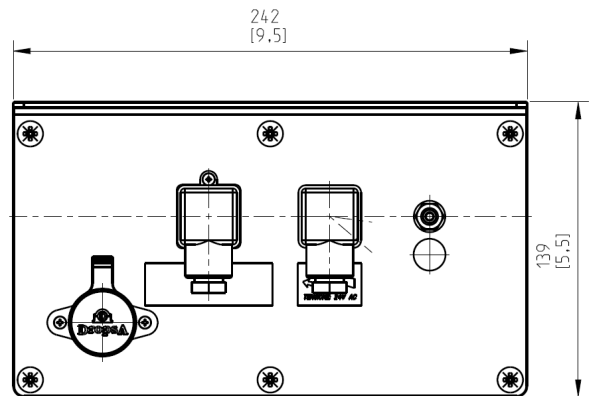
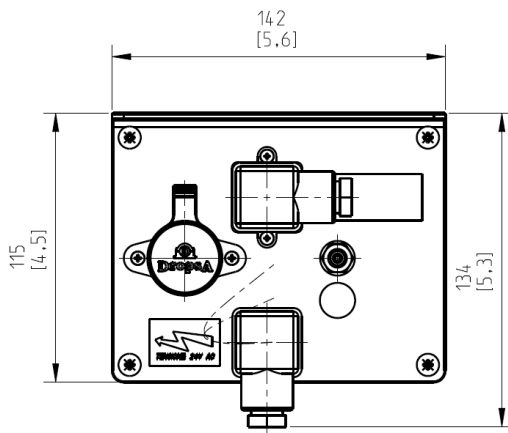
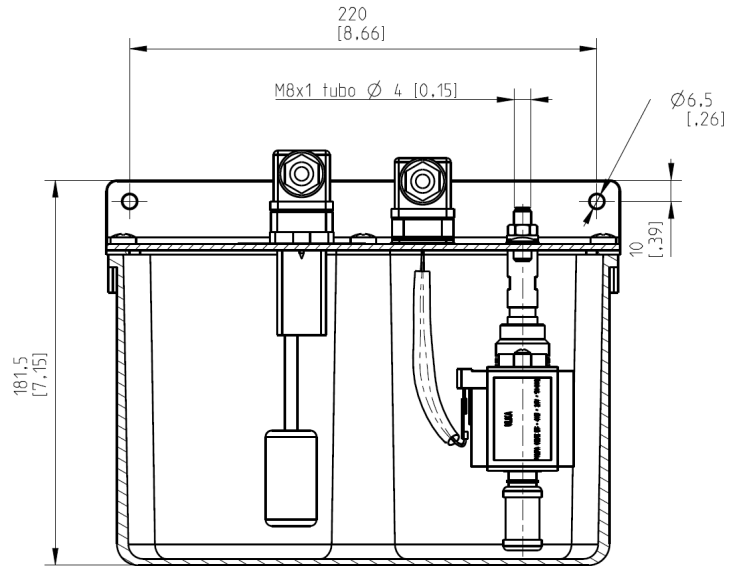
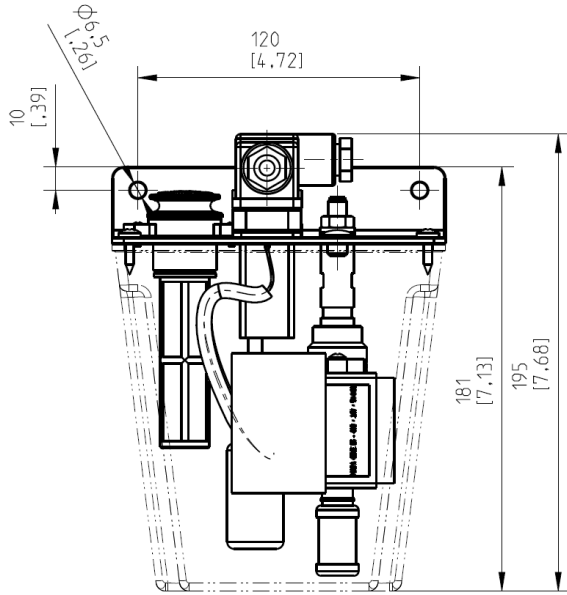


## TECHNICAL CHARACTERISTICS OF TIMER (OPTIONAL)

APPLICABLE PRODUCT LINE	SYSTEM 01	SYSTEM 33V
WORKING TIME	0 TO 99 SECONDS	0 TO 99 SECONDS
PAUSE TIME	0 SECONDS TO 99 MINUTES	0 SECONDS TO 99 MINUTES
ABSORBED CURRENT	1A MAX.	1A MAX.
OPERATING TEMPERATURE	FROM -10 °C TO +50 °C (14 °F TO +122 °F)	FROM -10 °C TO +50 °C (14 °F TO +122 °F)
DEGREE OF PROTECTION	IP65 ASSEMBLED	IP65 ASSEMBLED
CONNECTION	DIN 43650 A/ISO 4400	DIN 43650 A/ISO 4400
OPERATING VOLTAGE	24 - 240 VAC 50 / 60 HZ	24 - 240 VAC 50 / 60 HZ
INDICATORS	ELECTRONIC DISPLAY + LED	ELECTRONIC DISPLAY + LED

# DIMENSIONS

To facilitate future maintenance, increase the spaces indicated by at least 100 mm (3.9 in.).



- Piccola S2 1 litre - 1.5 kg
- Piccola S2 3 litre - 2.2 kg

# ORDERING INFORMATION

DropsA

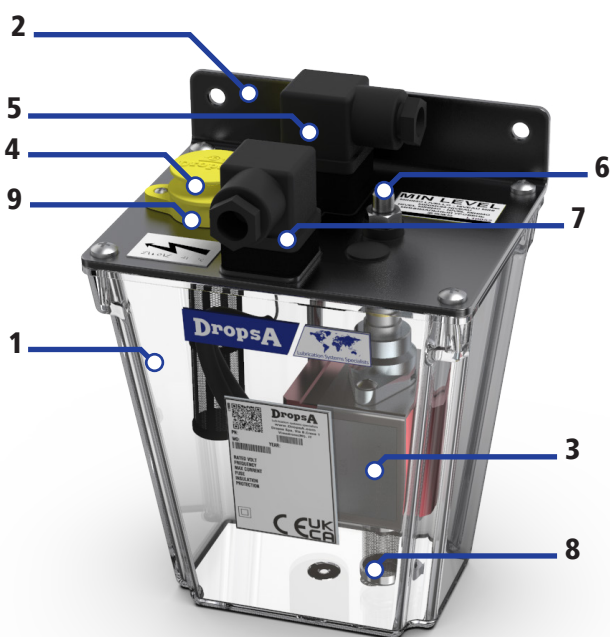
SYSTEM 01			33V SYSTEM		
PUMP DESCRIPTION	CODE 1 L	CODE 3 L	PUMP DESCRIPTION	CODE 1 L	CODE 3 L
PICCOLA S2 PUMP 24 VAC	3600330	3600333	PICCOLA S2 PUMP 24 VAC	3600340	3600343
PICCOLA S2 PUMP 120 VAC	3600331	3600334	PICCOLA S2 PUMP 120 VAC	3600341	3600344
PICCOLA S2 PUMP 230 VAC	3600332	3600335	PICCOLA S2 PUMP 230 VAC	3600342	3600345

## ACCESSORIES

0038967	PUMP TIMER KIT 24 VAC
1524492	PUMP TIMER KIT 120 - 230 VAC

## SPARE PARTS

1524510	PICCOLA S2 RELEASE VALVE 33V (UP TO 12 POINTS)
---------	--



ITEM	CODE	DESCRIPTION
1	6770080	TANK 1000 CC
	6770033	TANK 3000 CC
2	3050270	SUPPORT BRACKET
	3099260	ELECTRIC PUMP ULKA CEME E5 - 24 VAC
3	3099261	ELECTRIC PUMP ULKA CEME E5 - 120 VAC
	3099262	ELECTRIC PUMP ULKA CEME E5 - 230 VAC
4	6770070	SNAPLOCK OIL FILLER CAP
5	1655583	SAMBA LEVEL SWITCH WITHOUT NC CONNECTION
6	3084295	OUTLET CONNECTION G 1/8" X M 8 X 1
7	0039976	MPM CONNECTOR 183-9-N DIN 43650
8	3130548	FILTER
9	3130101	OIL FILLER FILTER